

National University of Science and Technology

FACULTY OF COMMERCE

DEPARTMENT OF ACCOUNTING

SUPPLEMENTARY EXAMINATION PAPER

DATE: SEPTEMBER 2013

SUBJECT: INFORMATION TECHNOLOGY: CAC 1203

TIME ALLOWED: THREE (3) HOURS

MARKS: 100

INSTRUCTIONS TO CANDIDATES

1. Answer **4 out of 6** Questions
2. Use the examination book provided
3. Use black or blue pen
4. Begin each question on a new page and
5. Submit all answer books

QUESTION ONE [25 MARKS]

- (a) Figure 1.1 shows simple computer hardware architecture. Explain the architecture of a computer hardware system. [10]

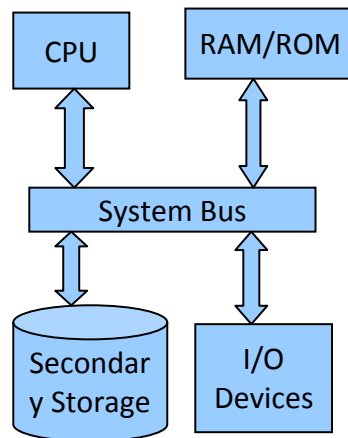


Figure 1.1 A simple computer hardware architecture

- (b) Discuss the 1st generation computers. Your discussion should include the following: i) Storage devices, ii) Hardware components, iii) I/O devices, iv) Programming languages and v) Efficiency. [15]

QUESTION TWO [25 MARKS]

- (a) Explain how an organisation can take advantage of the following the technologies:

- i. E-Business. [4]
- ii. E-Commerce [4]

- (b) Elaborate on the three (3) main hardware components that make up computer network. [9]

- (c) Discuss with the aid of a diagram the purpose of a hub and a modem in computer data communications. [8]

QUESTION THREE [25 MARKS]

- (a) An Information Society is a necessary stage before a nation that has well developed ICTs can become a Knowledge Society. Discuss. [10]

- (b) Outline any five (5) functions of a computer operating system (OS).

[15]

QUESTION FOUR [25 MARKS]

- (a) Explain the steps involved in opening a new Internet email account using any web browser. [5]
- (b) What measures can an organisation put in place for data recovery to mitigate disasters which may destroy the working computer systems? [8]
- (c) The types of computing environment that an organisation can implement depending on its size include a LAN, a WAN or a MAN. Elaborate on the conditions that must be fulfilled to implement them. [12]

QUESTION FIVE [25 MARKS]

- (a) Explain the purpose of an ICT policy in an organisation. [5]
- (b) Discuss the following types of computer systems:
- i. Multi-user or time-sharing [5]
 - ii. Multiprocessing [5]
 - iii. Multitasking [5]
 - iv. Real time [5]

QUESTION SIX [25 MARKS]

- (a) Give the meaning of the following information technology terms:
- i. Software [2]
 - ii. Virus [2]
 - iii. Worm [2]
 - iv. Trojan Horse [2]
 - v. Firewall [2]

- (b) Classify as Input or Output device, with valid reasons the computer peripheral shown in Figure 6.1 and explain its operations. [15]

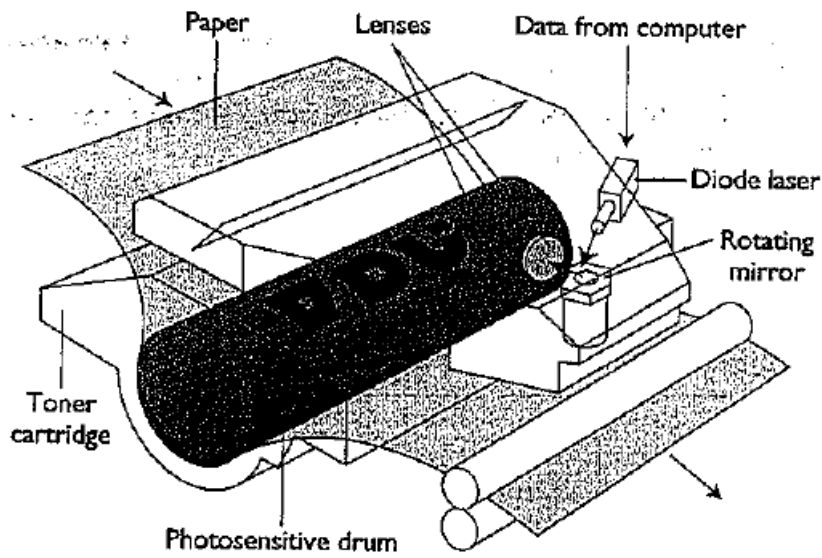


Figure 6.1: LaserJet Printer

THE END OF EXAMINATION PAPER